

# PVBT12-1000V-BH-213

83070106



PV string box 2 MPPT (1 string per MPPT) with Type 1+2 SPD 1000V (without remote indication) and MC4 connectors.

Indicative product image

Technical Data	Value	Units
<b>Commercial data</b>		
Code	83070106	
Part Number	PVBT12-1000V-BH-213	
Status	Upon request	
EAN	8435297875321	
Tariff code (HS)	8536.30.90	
Country of origin	Spain	
<b>Dimensions</b>		
Product height	180	[mm]
Product width	182	[mm]
Product length	111	[mm]
<b>Note:</b> Housing dimensions		
<b>General data</b>		
Housing material	Polycarbonate	
Cover/door material	Polycarbonate (transparent)	
Degree of protection	IP65	
Temperature range	-20 °C ... +55	[°C]
Product standards	IEC/EN 61439-2	
Certifications	CE; RoHs	
Surge Protection Device (SPD) Class	I + II	

Technical Data	Value	Units
----------------	-------	-------

**Technical features**

Supply voltage	U <sub>max</sub>	<b>1000</b>	[Vdc]
Number of supported MPP trackers		<b>2</b>	
Number of string inputs per MPP tracker		<b>1</b>	
Number of string outputs per MPP tracker		<b>1</b>	
Maximum current per string	I <sub>max</sub>	<b>40</b>	[A]

**Protective devices**

Surge protective device (SPD)		<b>PV Type 1+2</b>	
<ul style="list-style-type: none"> <li>Nominal discharge current (8/20)</li> </ul>	I <sub>n</sub> (L-L / L-PE)	<b>20</b>	[kA]
<ul style="list-style-type: none"> <li>Maximum discharge current (8/20)</li> </ul>	I <sub>max</sub> (L-L / L-PE)	<b>40</b>	[kA]
<ul style="list-style-type: none"> <li>Impulsional discharge current (10/350)</li> </ul>	I <sub>imp</sub> (L-L / L-PE)	<b>5</b>	[kA]
<ul style="list-style-type: none"> <li>Voltage protection level at I<sub>n</sub></li> </ul>	U <sub>p</sub> (L-L / L-PE)	<b>4,0</b>	[kV]
Overcurrent protection - string fuse		-	[A]

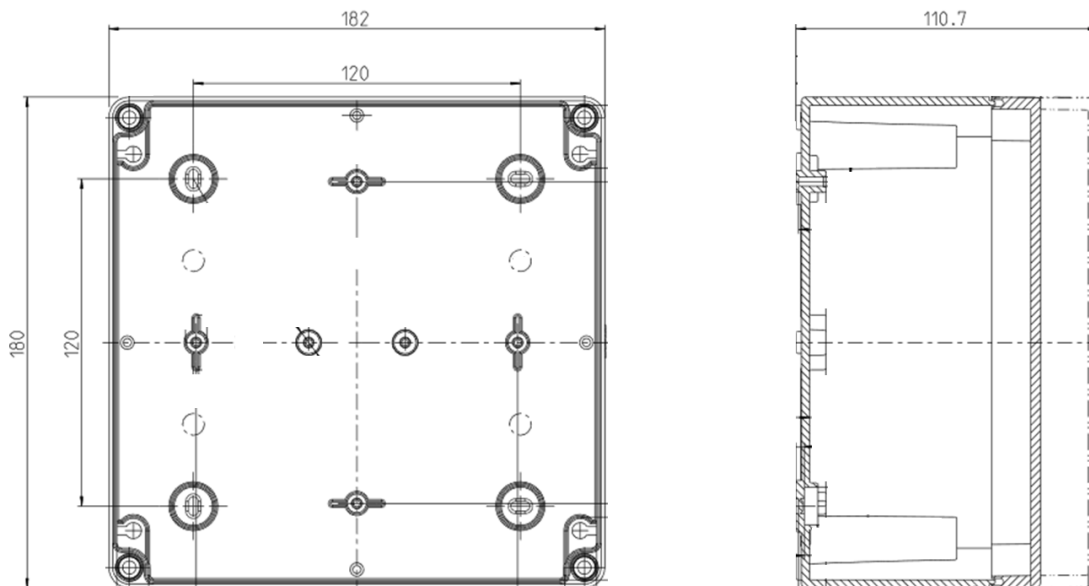
**Cable entry**

Type of cable entry / connector		<b>MC4</b>	
Cable cross section string input		<b>4 ... 6</b>	[mm <sup>2</sup> ]
Cable cross section output (inverter)		<b>4 ... 6</b>	[mm <sup>2</sup> ]
Cable cross section grounding		<b>16</b>	[mm <sup>2</sup> ]
Sealing area grounding		<b>4,5 ... 8,5</b>	[mm]

**Accessories**

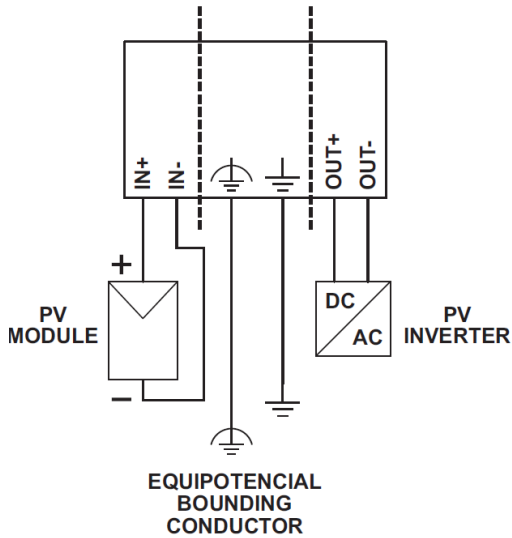
Pluggable cartridge 1	83120011
Pluggable cartridge description 1	SP12-5K1000V-PV

Dimensional drawing (housing)

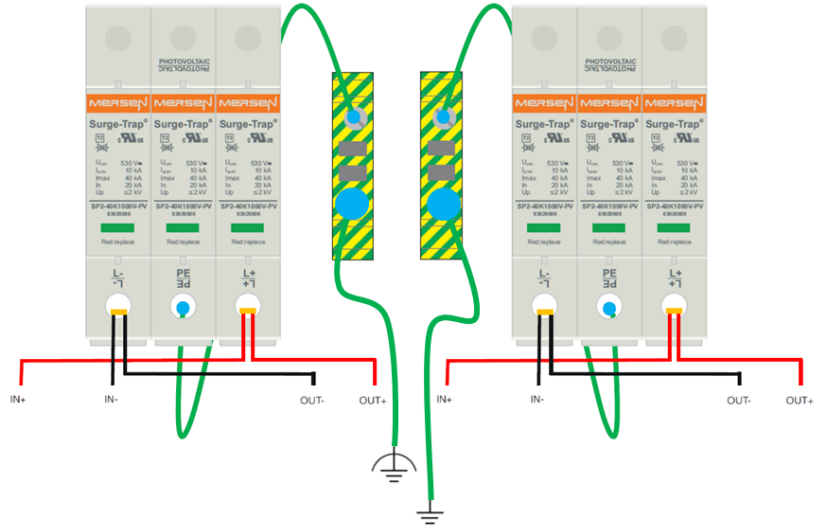


Wiring diagrams

Connection diagram

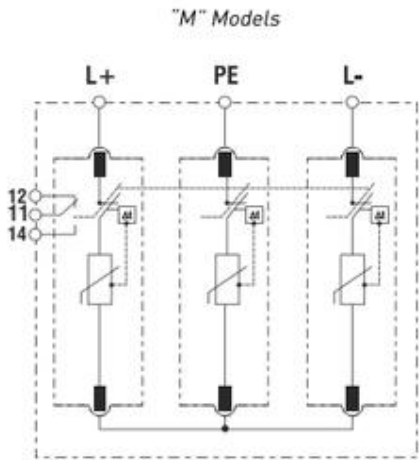


Indicative wiring scheme

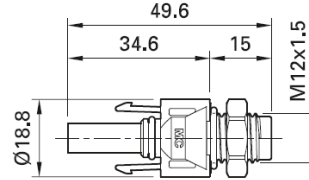


Applicable for PV Surge Protective Devices (SPD) Class I + II & Class II

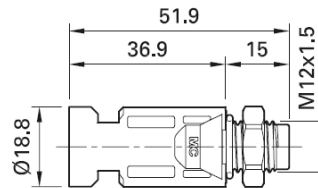
SPD - Internal configuration



MC4 connectors



IN- & OUT+



IN+ & OUT-