

PVBT2-1000V-BH-113

83070100



PV string box 1 MPPT (1 string per MPPT) with Type 2 SPD 1000V (without remote indication) and MC4 connectors.

Indicative product image

Technical Data	Value	Units
Commercial data		
Code	83070100	
Part Number	PVBT2-1000V-BH-113	
Status	Upon request	
EAN	8435297875918	
Tariff code (HS)	8536.30.90	
Country of origin	Spain	
Dimensions		
Product height	130	[mm]
Product width	180	[mm]
Product length	111	[mm]
Note: Housing dimensions		
General data		
Housing material	Polycarbonate	
Cover/door material	Polycarbonate (transparent)	
Degree of protection	IP65	
Temperature range	-20 °C ... +55	[°C]
Product standards	IEC/EN 61439-2	
Certifications	CE; RoHs	
Surge Protection Device (SPD) Class	II	

Technical Data	Value	Units
----------------	-------	-------

Technical features

Supply voltage	U _{max}	1000	[Vdc]
Number of supported MPP trackers		1	
Number of string inputs per MPP tracker		1	
Number of string outputs per MPP tracker		1	
Maximum current per string	I _{max}	40	[A]

Protective devices

Surge protective device (SPD)		PV Type 2	
<ul style="list-style-type: none"> • Nominal discharge current (8/20) 	I _n (L-L / L-PE)	20	[kA]
<ul style="list-style-type: none"> • Maximum discharge current (8/20) 	I _{max} (L-L / L-PE)	40	[kA]
<ul style="list-style-type: none"> • Voltage protection level at I_n 	U _p (L-L / L-PE)	4,0	[kV]
Overcurrent protection - string fuse		-	[A]

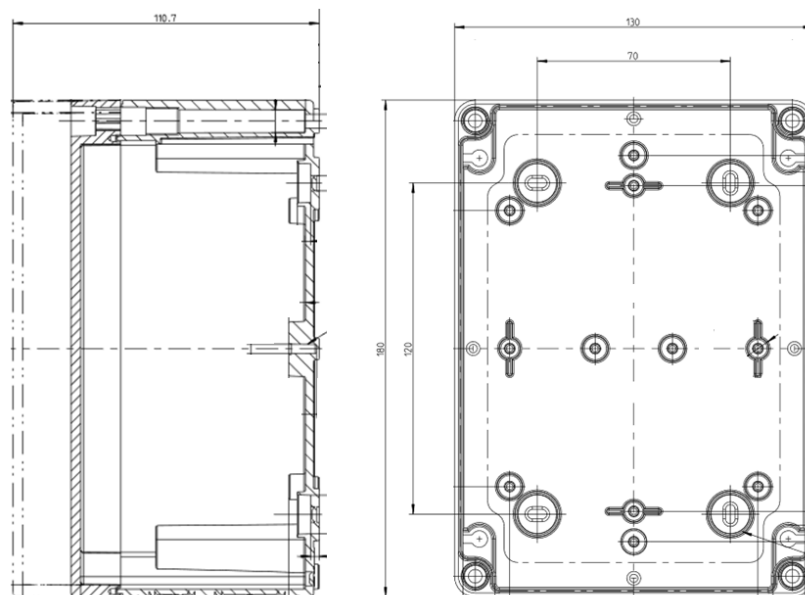
Cable entry

Type of cable entry / connector		MC4	
Cable cross section string input		4 ... 6	[mm ²]
Cable cross section output (inverter)		4 ... 6	[mm ²]
Cable cross section grounding		16	[mm ²]
Sealing area grounding		4,5 ... 8,5	[mm]

Accessories

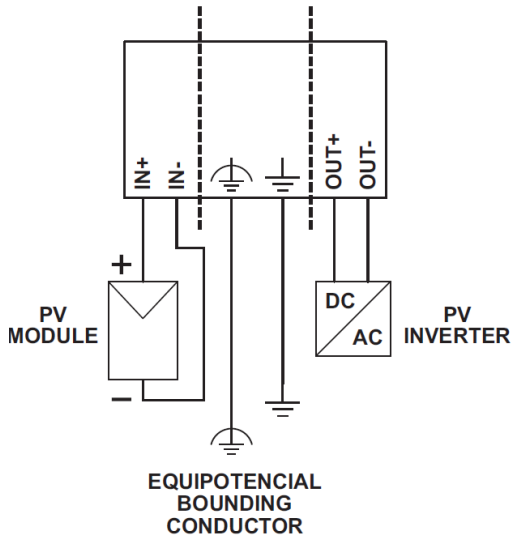
Pluggable cartridge 1	83020006
Pluggable cartridge description 1	SP2-40K1000V-PV

Dimensional drawing (housing)

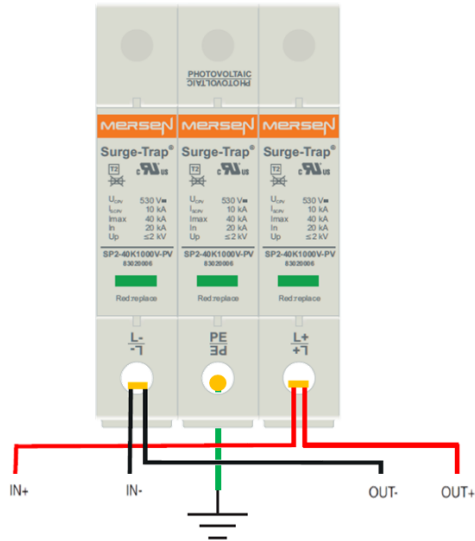


Wiring diagrams

Connection diagram

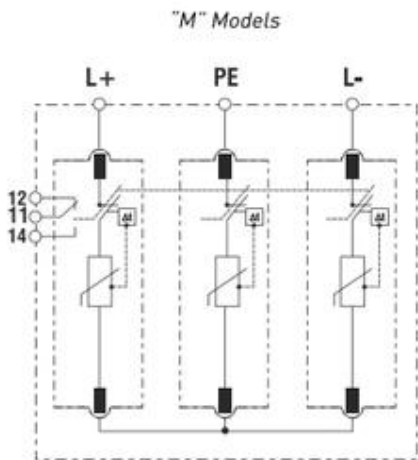


Indicative wiring scheme



Applicable for PV Surge Protective Devices (SPD) Class I + II & Class II

SPD - Internal configuration



MC4 connectors

