

PVBT2-1000V-BH-213

83070104



PV string box 2 MPPT (1 string per MPPT) with Type 2 SPD 1000V (without remote indication) and MC4 connectors.

Indicative product image

| Technical Data | Value | Units |
|-------------------------------------|-----------------------------|-------|
| Commercial data | | |
| Code | 83070104 | |
| Part Number | PVBT2-1000V-BH-213 | |
| Status | Upon request | |
| EAN | 8435297875925 | |
| Tariff code (HS) | 8536.30.90 | |
| Country of origin | Spain | |
| Dimensions | | |
| Product height | 180 | [mm] |
| Product width | 182 | [mm] |
| Product length | 111 | [mm] |
| Note: Housing dimensions | | |
| General data | | |
| Housing material | Polycarbonate | |
| Cover/door material | Polycarbonate (transparent) | |
| Degree of protection | IP65 | |
| Temperature range | -20 °C ... +55 | [°C] |
| Product standards | IEC/EN 61439-2 | |
| Certifications | CE; RoHs | |
| Surge Protection Device (SPD) Class | II | |

| Technical Data | Value | Units |
|----------------|-------|-------|
|----------------|-------|-------|

Technical features

| | | | |
|--|------------------|-------------|-------|
| Supply voltage | U _{max} | 1000 | [Vdc] |
| Number of supported MPP trackers | | 2 | |
| Number of string inputs per MPP tracker | | 1 | |
| Number of string outputs per MPP tracker | | 1 | |
| Maximum current per string | I _{max} | 40 | [A] |

Protective devices

| | | PV Type 2 | |
|---|-------------------------------|------------|------|
| Surge protective device (SPD) | | | |
| <ul style="list-style-type: none"> • Nominal discharge current (8/20) | In (L-L / L-PE) | 20 | [kA] |
| <ul style="list-style-type: none"> • Maximum discharge current (8/20) | I _{max} (L-L / L-PE) | 40 | [kA] |
| <ul style="list-style-type: none"> • Voltage protection level at I_n | U _p (L-L / L-PE) | 4,0 | [kV] |
| Overcurrent protection - string fuse | | - | [A] |

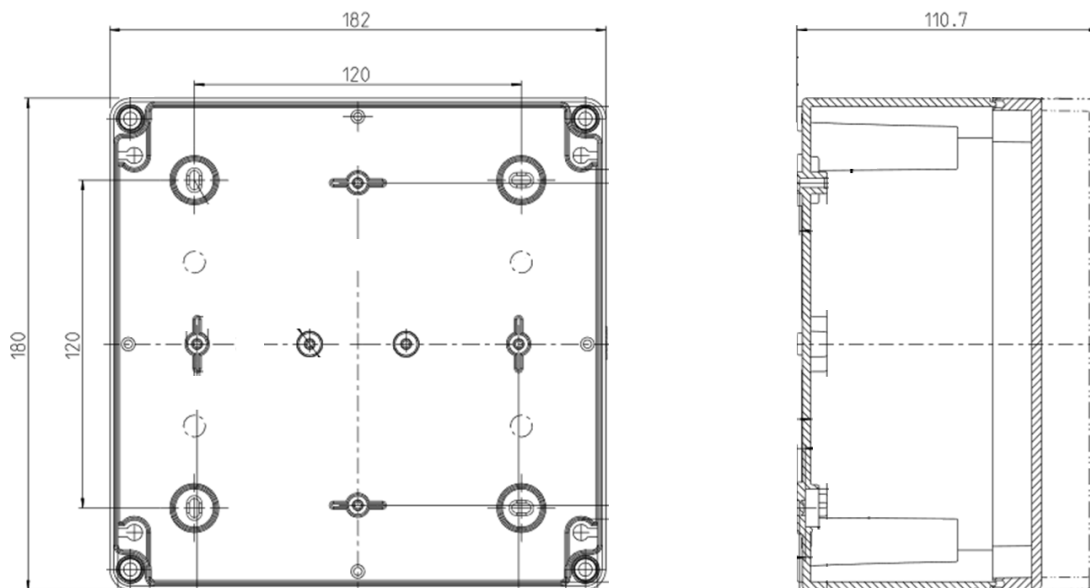
Cable entry

| | | | |
|---------------------------------------|--|--------------------|--------------------|
| Type of cable entry / connector | | MC4 | |
| Cable cross section string input | | 4 ... 6 | [mm ²] |
| Cable cross section output (inverter) | | 4 ... 6 | [mm ²] |
| Cable cross section grounding | | 16 | [mm ²] |
| Sealing area grounding | | 4,5 ... 8,5 | [mm] |

Accessories

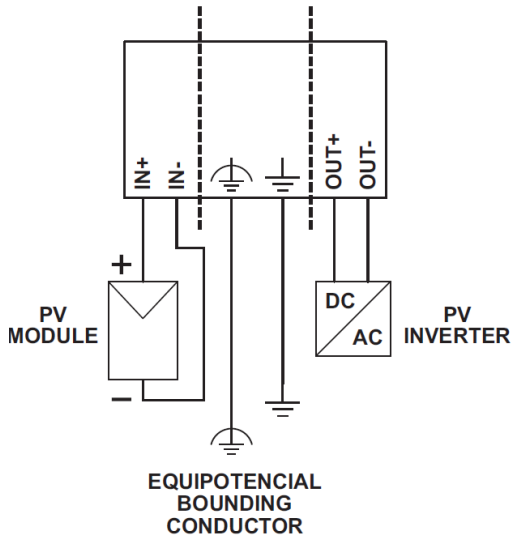
| | |
|-----------------------------------|-----------------|
| Pluggable cartridge 1 | 83020006 |
| Pluggable cartridge description 1 | SP2-40K1000V-PV |

Dimensional drawing (housing)

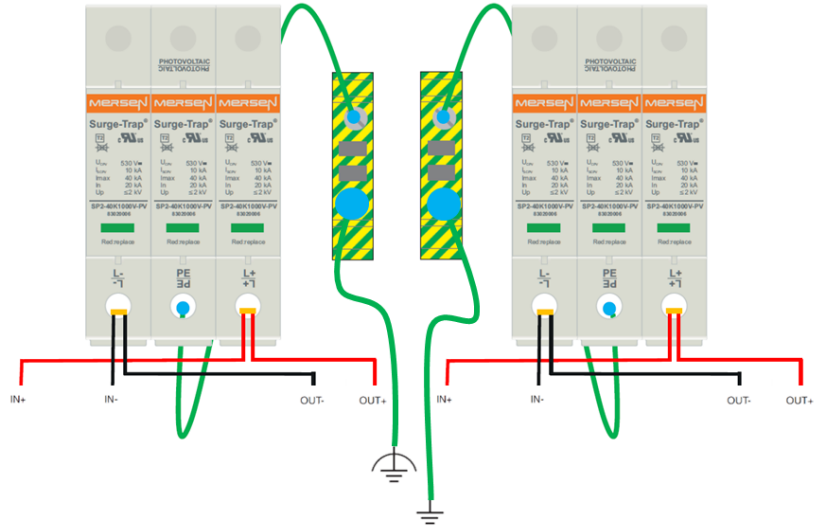


Wiring diagrams

Connection diagram

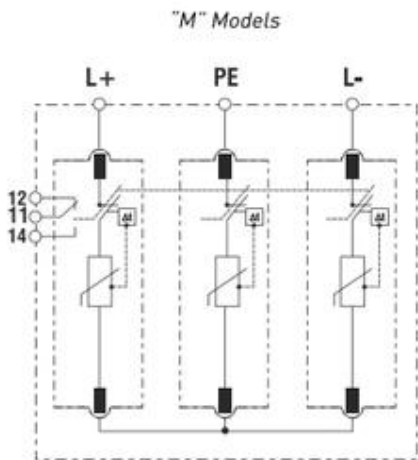


Indicative wiring scheme

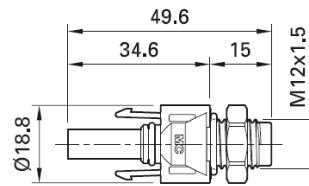


Applicable for PV Surge Protective Devices (SPD) Class I + II & Class II

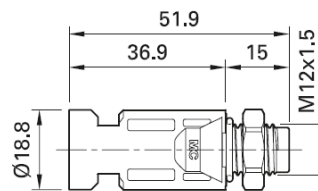
SPD - Internal configuration



MC4 connectors



IN- & OUT+



IN+ & OUT-